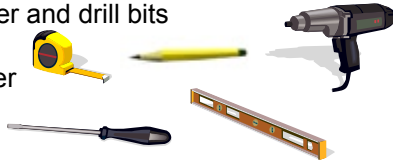


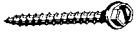
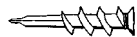
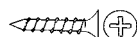
### BLOCKOUT INSTALLATION INSTRUCTIONS

Thank you for choosing Genesis Custom Window Shades. With proper installation and care, your new shades will provide many years of beauty and performance.

#### Tools and Fasteners Needed

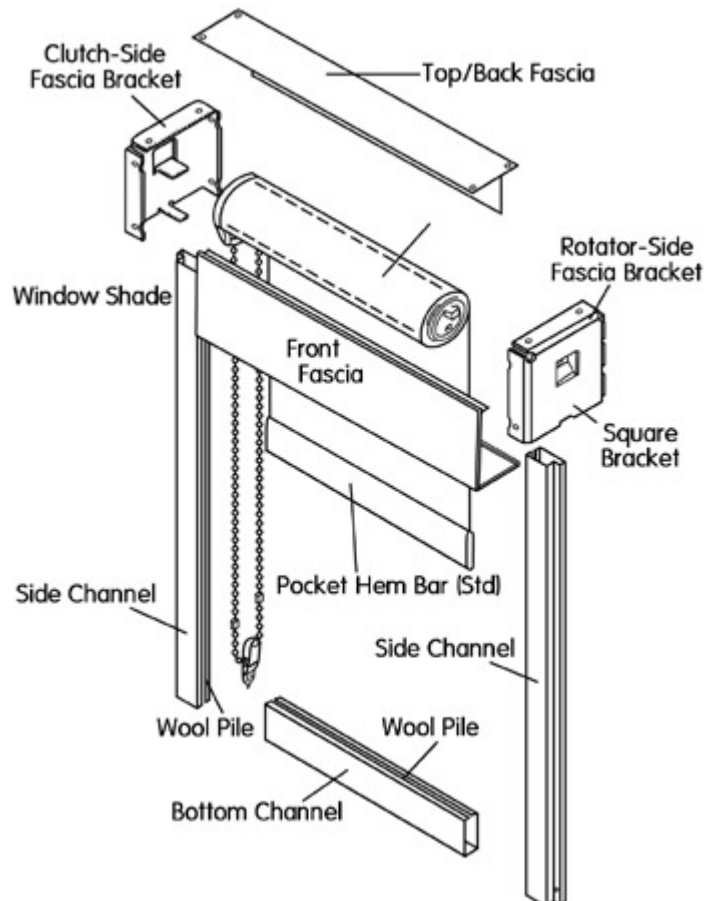
- Power Drill, 1/4" Driver and drill bits
- Tape Measure
- Flat blade Screwdriver
- Phillips Screwdriver
- Pencil
- Level



Mounting Surface	Fastener	
Wood	#6 Hex Head Provided	
Drywall, Plaster	Wall Anchors Not Provided	
Metal	Sheet Metal Not Provided	

Remove items from the package. Keep all packaging until the shade operates to your satisfaction. Save these instructions for care and cleaning, shade removal and reinstallation procedures. Check the product view to make sure you have all the necessary parts. Contents of the hardware package may vary depending on how the shade was ordered and how the shade will be mounted.

#### Product View



## BLOCKOUT INSTALLATION

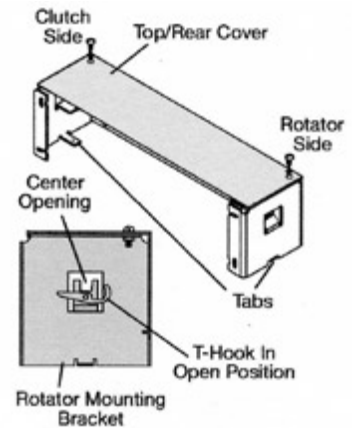
There are two different mounting brackets: the clutch-side and the rotator-side brackets. These instructions show if the beaded chain is on the left. If your beaded chain is on the right, reverse the positions of the clutch-side and rotator-side mounting brackets

### Cover Identification

Top/rear cover has a notch (cutout) at each end and two screw holes.  
Front/bottom cover had no screw holes.

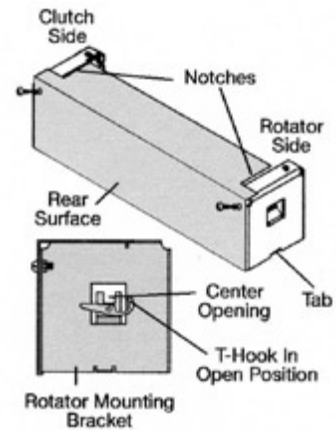
### Attach the Top/Rear Cover Outside Mount

- Orient the mounting brackets so the tabs are down and face each other.
- Set the top/rear cover in place with the screw holes on top.
- Attach the top/rear cover to the mounting brackets using the small flat-head Phillips screws and nuts provided.
- Locate the T-hook on the inside of the rotator-side mounting bracket and move it to the open position.



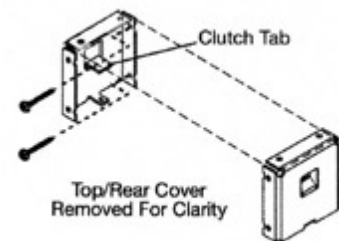
### Inside Mount

- Orient the mounting brackets so the tabs are down and face each other.
- Set the top/rear cover in place with the screw holes on top.
- Attach the top/rear cover to the mounting brackets using the small flat-head Phillips screws and nuts provided.
- Locate the T-hook on the inside of the rotator-side mounting bracket and move it to the open position.



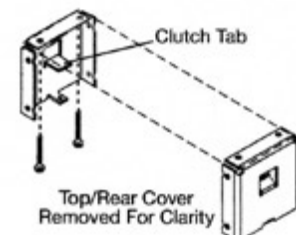
### Mount the Brackets Outside Mount

- Use the two holes in the rear of each bracket.
- Attach each bracket to the mounting surface with two hex-head screws.
- IMPORTANT: With outside mounts, use a level to be sure the top cover is horizontal.



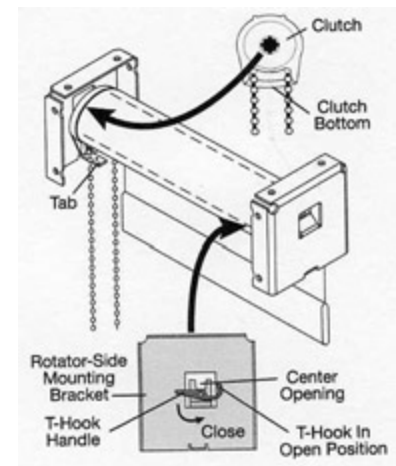
### Inside Mount

- Use the two holes in the rear of each bracket.
- Attach each bracket to the mounting surface with two hex-head screws.
- IMPORTANT: With inside mounts, check that the mounting surface is level. If necessary, add shims to the brackets to make the shade level.



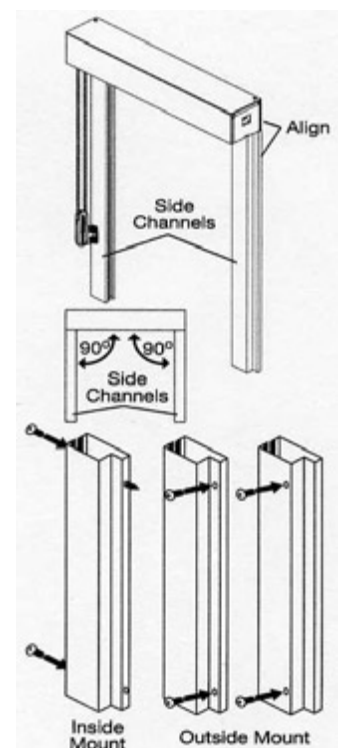
### Mount the Shade

- With the clutch bottom in the down position, slip the clutch end of the shade onto the clutch tab on the clutch-side mounting bracket.
- The lower tab, used to secure the cover, goes between the bead chains.
- Rotate the T-hook in the rotator-side mounting bracket in the open position.
- Position the rotator pin on the shade into the center opening on the rotator-side mounting bracket.
- Rotate the T-hook, on the rotator-side mounting bracket, to the closed position. The handle should be nearly straight down.



### Attach the Side Channels

- Lower the shade slightly when you mount each side channel to fit the shade onto the top of the channel.
- Align the outer edge of the side channels with the outside of the brackets. The mounting holes will be on the rear face of the side channels, with the larger access holes on the front side. (Room side)
- Hold the top of each side channel snug against the bracket, and mark through the side channel's mounting holes to determine where to drill the pilot holes.
- After marking all the holes on each side, measure the side-to-side distance between them. The distance between the top two holes and the bottom two holes should be equal.
- Drill pilot holes approximately 3/8" deep using a 3/32" drill bit.
- Use the screws provided to attach the side channels to the mounting surface.

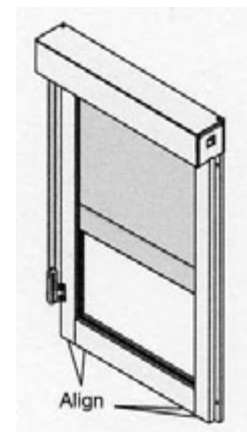


### Attach the Bottom Channel

- Align the bottom of the channels and mount it with screws provided.
- Screw through the side of the bottom channel when attaching it to the molding or wall with an outside mount; or screw down through the bottom of the channel when attaching it to the sill or casement with an inside mount.

### Install the Side Channel Plugs

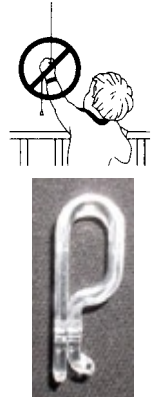
- Side channel plugs are include for outside mounted shades. Cover the access holes in the side channels with the provided plugs, pushing them in until they are firmly seated.



## Install the Cord Guide

The cord guide reduces the hazards of strangulation and entanglement of children and pets by limiting the access to the cord control. Anchor the cord guide to the window frame or wall.

- Lower the shade.
- Hold the cord guide upright as shown in the picture. Slide chain into the cord guide.
- Position the cord guide on the window frame or wall so that the cord guide and control chain do not interfere with raising and lowering the shade. The cord guide should be installed without stretching or pulling down on the control chain. Do not twist or cross the control chain.
- Holding the cord guide upright, and in position as shown, insert and secure the screw through the hole. The mounting screw must be secured into a solid surface or wall fastener.

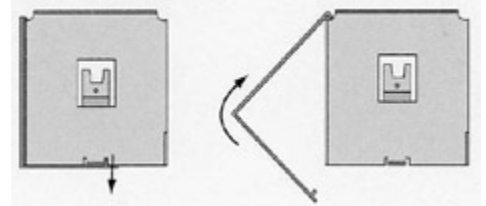


## Shade Removal

### Remove the Front/Bottom Cover

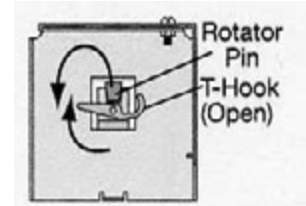
Raise shade completely before removing. Damage to a blackout shade can easily occur if they are not in the full up position.

- Remove the front/bottom cover of the fascia by pulling down on the bottom of the cover, near the mounting brackets, to release it from the tabs on the mounting brackets.
- Rotate the cover and remove it.



### Remove the Shade

- Rotate the T-hook on the rotator-side mounting bracket to the open position.
- Lift the rotator pin out off the center opening in the rotator-side mounting bracket.
- Swing the rotator pin end of the shade out of the bracket, lowering the shade on that end as little as possible for the next step.
- Carefully pull the shade from the clutch tab on the clutch-side mounting bracket.



## Care and Cleaning

Regular vacuuming with a soft bristle attachment will maintain a like-new appearance for most cloth fabrics. Wiping with cold water and a mild detergent will take care of most vinyl fabrics.



[www.lafayetteinteriorfashions.com](http://www.lafayetteinteriorfashions.com)

18-2220-03 Oct. 2008